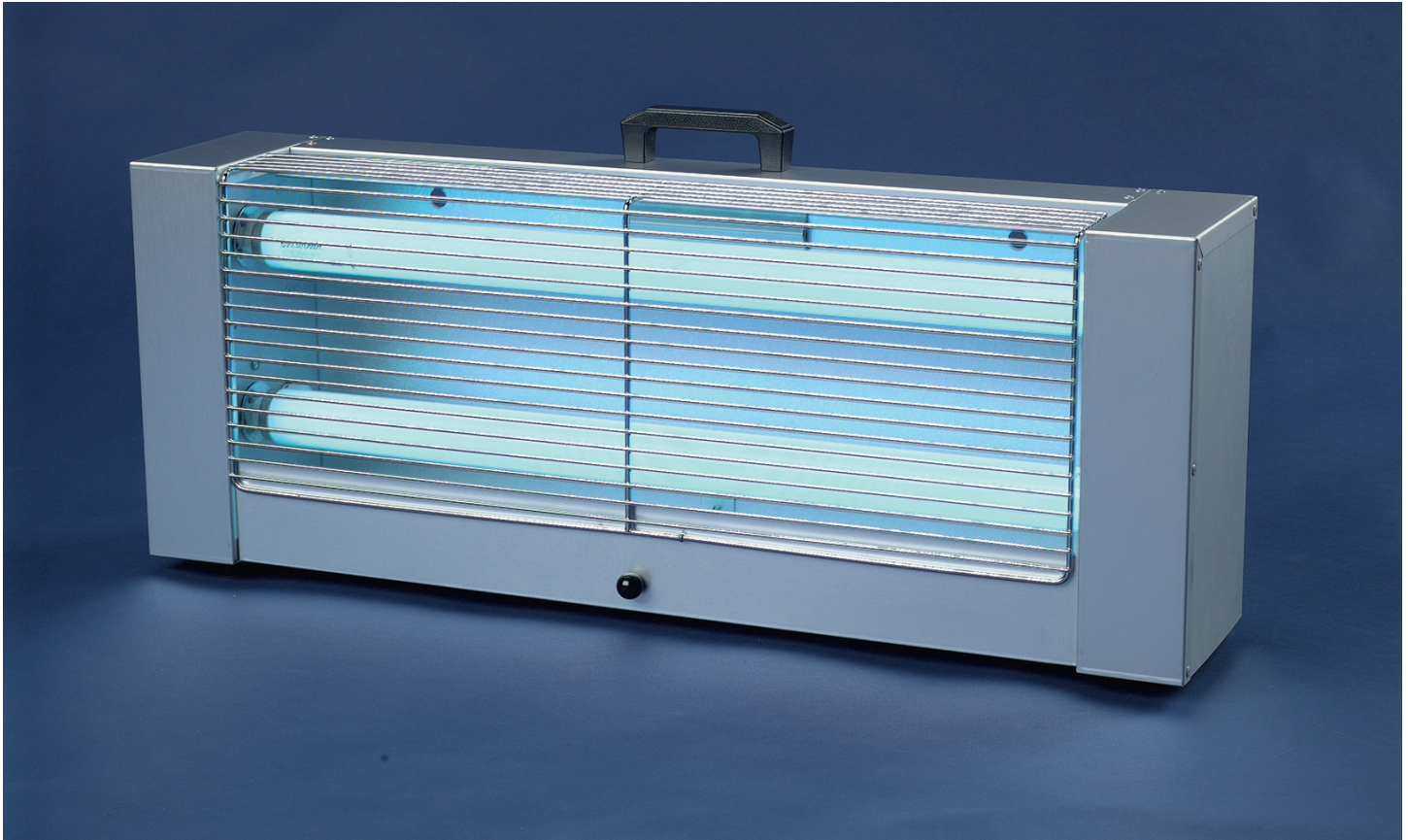




219GT Sticky Tiger™

Professional
GLUEBOARD
FLYTRAP



The Gilbert® 219GT Sticky Tiger™ outcatches competitors as a wall-mount or portable. Features silent capture and double-glueboard capacity at a low, stunless price. See electocuting version (pg. 10).

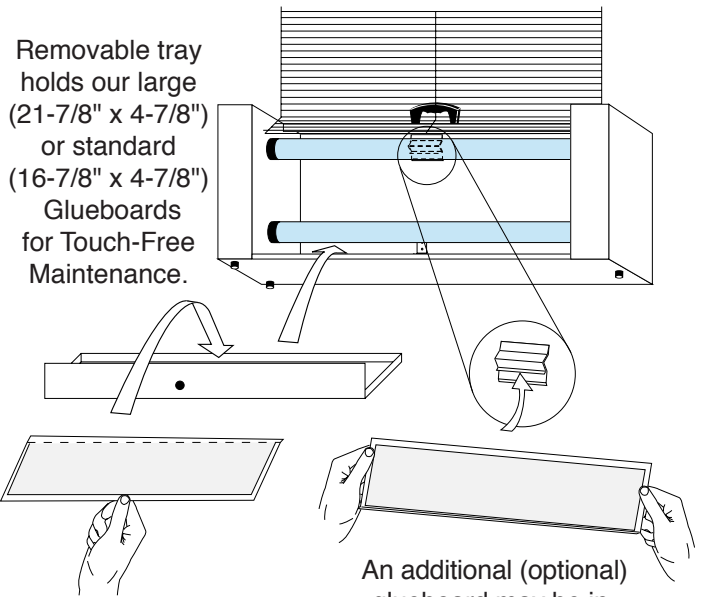
Insect Attractant: Two standard Osram Sylvania F20/350BL (20 watt) lamps. Replace annually.

Installation: Wall-mounted with keyhole slots or used as free-standing portable (handle & mar-resistant feet included). Low positioning almost always yields best results for any ILT against flies. Special order w/eyebolts for hanging.

Electrical: Six foot, 3-wire grounded power cord. Standard 115v/60 Hz. **Maintenance:** Spring-locked tray conceals glueboard, is secure, and yet easy to service. Guard swings up for easy access to lamps for cleaning and/or replacement. Change glueboard regularly, at least as often as codes require.

Construction Features: Frame and interior structure are aluminized steel for strength. Beautifully finished in anodized aluminum with (double nickel-chromed) guard. **FIVE YEAR WARRANTY** (Excluding lamps, glueboards).

219GT Will Hold Two Large Glueboards.



Removable tray holds our large (21-7/8" x 4-7/8") or standard (16-7/8" x 4-7/8") Glueboards for Touch-Free Maintenance.

Gilbert® glueboards are scored for bending 5/8" edge. This is an optional feature to help retain glue and insects.

An additional (optional) glueboard may be inserted into the clip (behind top lamp) to increase total catch area.



Dimensions: 28" x 11 1/4" x 5 3/4"
Weight: 13 lbs., **Ship Wt:** 17 lbs.

See Also: gilbertinc.com/glueboard.htm