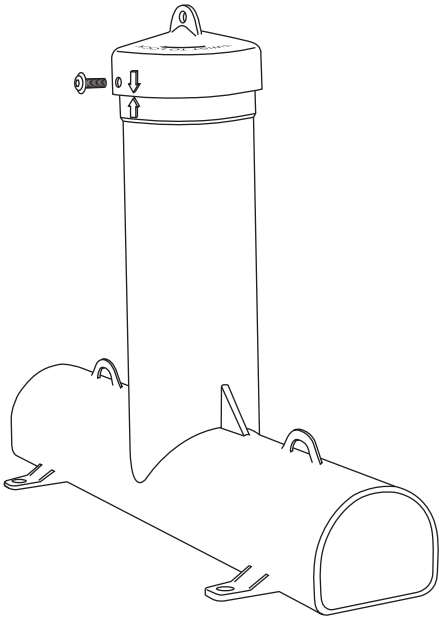
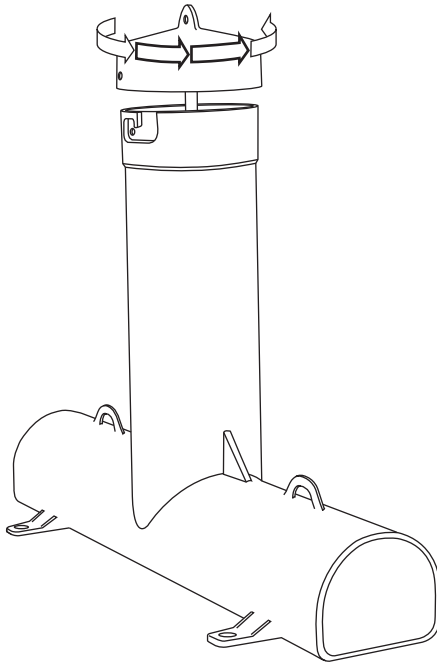


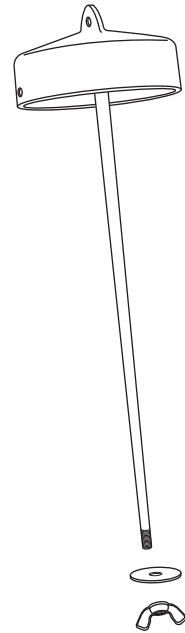
Placing Bait on the #902 TOP LOADER™ BAIT STATION



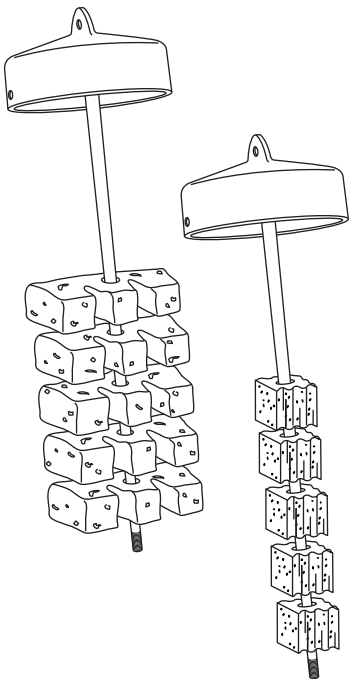
1. Remove Securing Screw From Station.



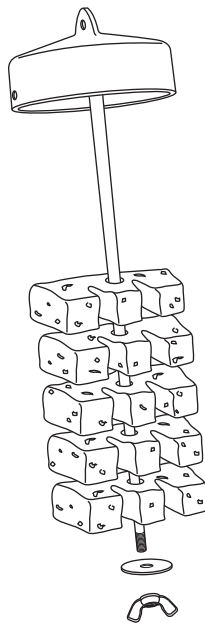
2. Remove Top By Twisting Top Counterclockwise and Lifting Top and Bait Holder Rod From Station.



3. Remove Wing Nut and Washer From Bait Holder Rod.

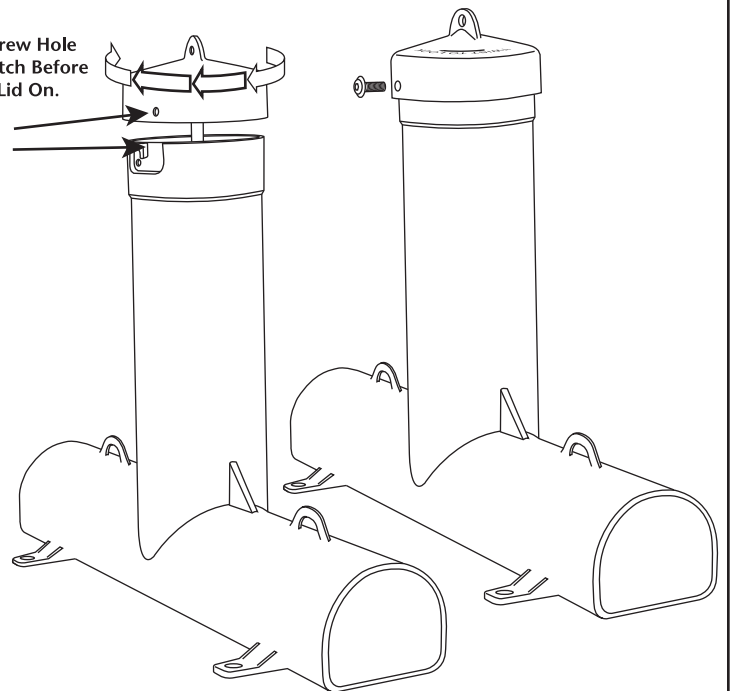


4. Slide Bait Holder Rod Through JT EATON BAIT BLOCK® or TOP GUN™ BAIT BLOCK.



5. Replace Washer & Secure Bait On Rod with Wing Nut.

Align Screw Hole with Notch Before Placing Lid On.



6. Align Screw Hole with Notch Then Replace Lid by Sliding Lid Back Onto Station. Twist Top Clockwise Into Place and Replace Securing Screw.